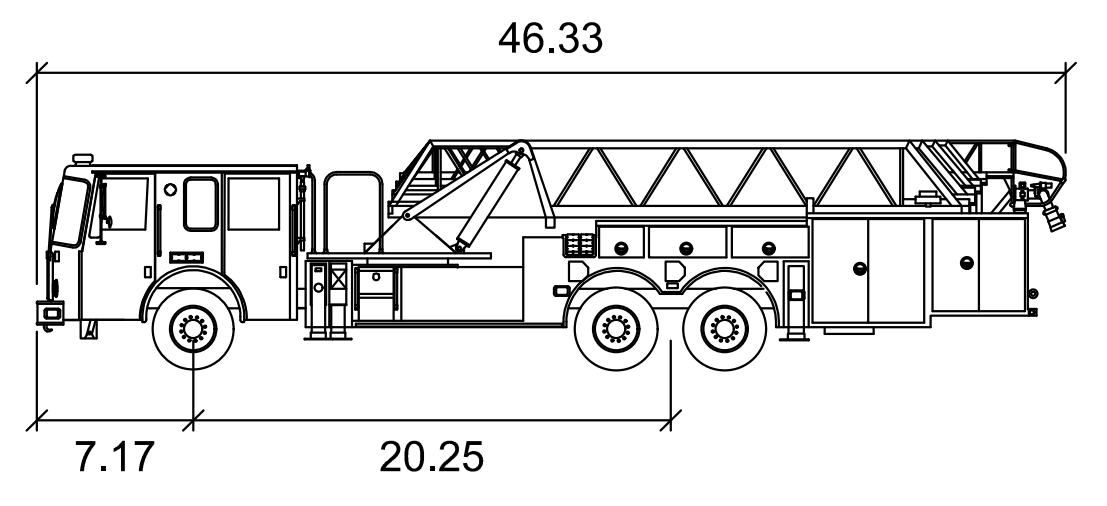
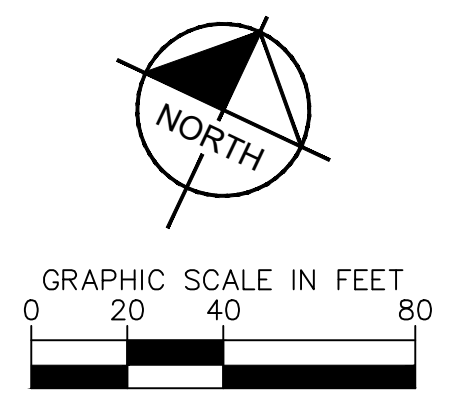
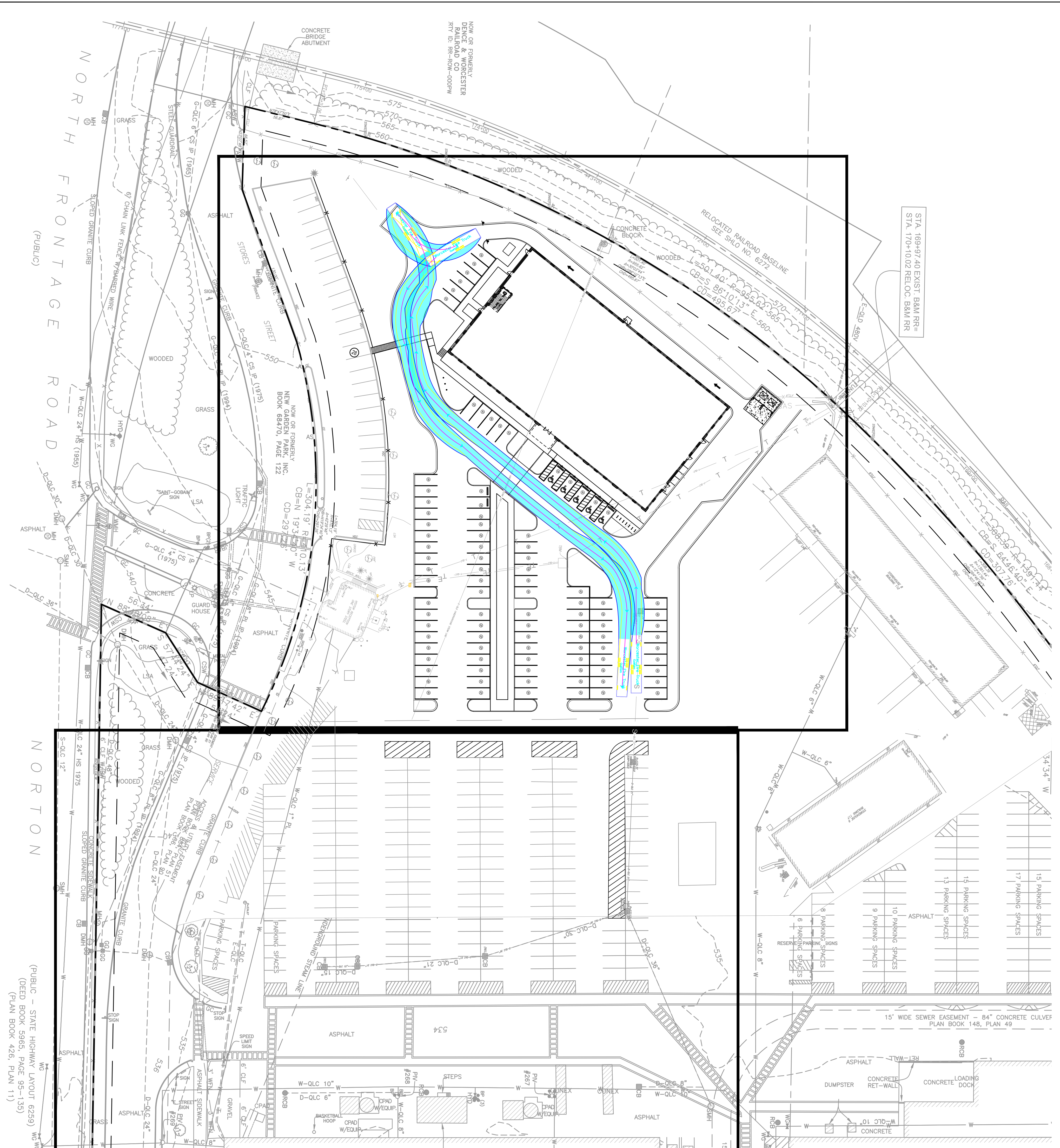


This document, together with the concepts and designs presented herein, is intended only for the specific purpose and client for which it was prepared. Reuse of and improper reliance on this document without written authorization and adaptation by Kimley-Horn and Associates, Inc. shall be without liability to Kimley-Horn and Associates, Inc.



Worcester Fire Truck

feet

Width : 8.33
 Track : 8.50
 Lock to Lock Time : 6.0
 Steering Angle : 35.2

No.	REVISIONS	DATE	BY
1			
2			
3			
4			
5			
6			
7			
8			
9			
10			

Kimley»Horn

© 2024 KIMLEY-HORN AND ASSOCIATES, INC.
 271 Waverley Oaks Road, Suite 302, Waltham, MA 02462
 PHONE: 781-328-9878
 WWW.KIMLEY-HORN.COM

LICENSED PROFESSIONAL

DATE: 05/09/2024

CHECKED BY: DDL

AUTOTURN

KHA PROJECT
 112266000

DATE
 05/09/2024

SCALE
 AS SHOWN

DESIGNED BY: SP

DRAWN BY: EIW

CHECKED BY: DDL

PROJECT EUROPA
 PREPARED FOR
PURE DEVELOPMENT

CITY OF WORCESTER MASSACHUSETTS

SHEET NUMBER
EX